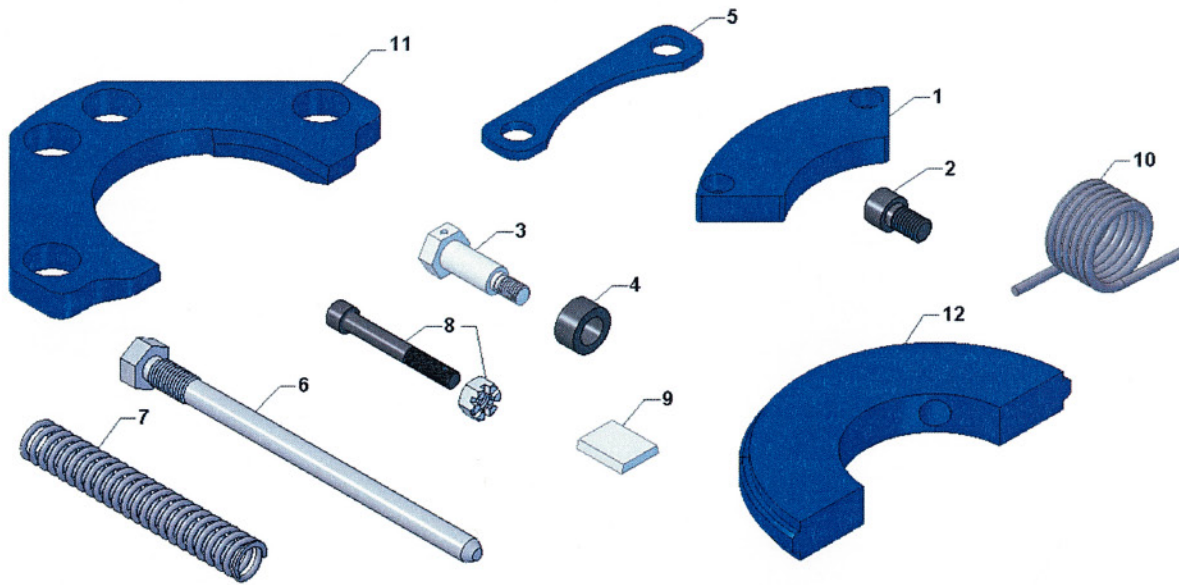


## YC SLIP TYPE ELEVATOR



### YC REPLACEMENT PARTS

	ITEM#	DESCRIPTION	#REQ.	WT.
30214	1	INSERT RET. RING 3 1/2" - 4 1/2"	4	2.75
30224	1	INSERT RET. RING 5" & 5 1/2"	4	2.13
30230	1	INSERT RET. RING 6 5/8" & 7"	4	2.75
941271-73	2	INSERT RET. SCREW	4	.13
30211	3	SETTING PLATE BOLT	4	.25
30213	4	RUBBER BUSHING	4	.06
30216	5	SETTING RING RET.	2	.25
24076	6	SLIP BOLT	4	1.05
24049	7	SLIP SPRING	4	.38
24075	8	GUIDE PLATE SCREW w/NUT	4	.40
24506	9	INSERT SPACER	8	.25
12978	10	LATCH SPRING		

### YC SETTING PLATES

‡	ITEM#	DESCRIPTION	#REQ.	WT.
34932	11	3 1/2" SETTING PLATE	1	8.00
30209	11	4" SETTING PLATE	1	8.00
30219	11	4 1/2" SETTING PLATE	1	7.00
30220	11	5" SETTING PLATE	1	6.25
30223	11	5 1/2" SETTING PLATE	1	6.13
30226	11	6 5/8" SETTING PLATE	1	6.00
30229	11	7" SETTING PLATE	1	5.50

### YC BOTTOM GUIDE PLATES

‡	ITEM#	DESCRIPTION	WT.
24071-2	12	7" BOTTOM GUIDE	3.75
24071-3	12	6 5/8" BOTTOM GUIDE	4.50
24071-1	12	5 1/2" BOTTOM GUIDE	5.50
24071	12	5" BOTTOM GUIDE	7.75
24071-4	12	4 1/2" BOTTOM GUIDE	8.50
26827	12	4" BOTTOM GUIDE	8.50
26827-1	12	3 1/2" BOTTOM GUIDE	8.00