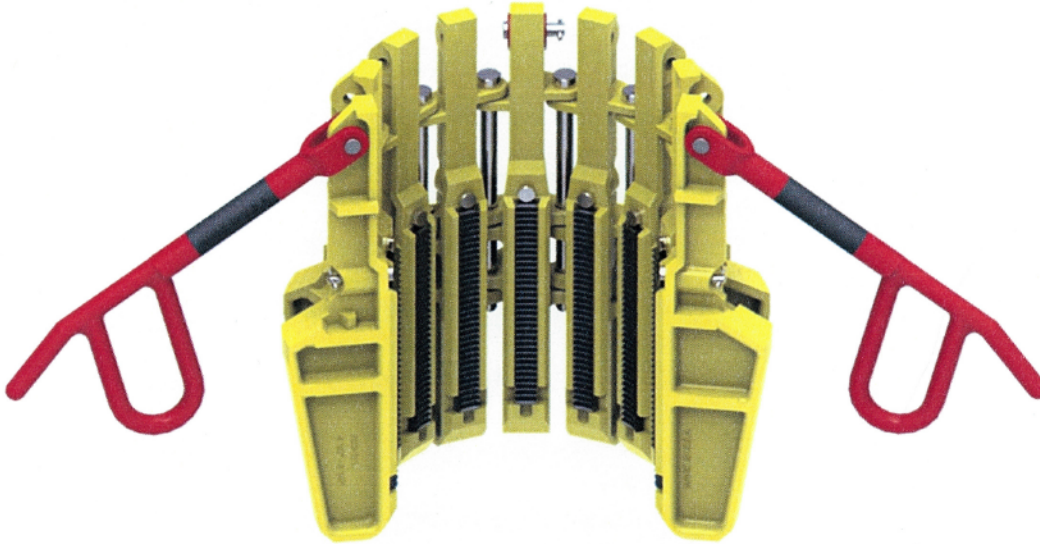


TYPE "A" DRILL COLLAR SLIP

Type "A" Drill Collar Slip has a multi-segment design that allows it to hinge so that it fits all drill collars within the slip's size range. The slip segments are made of alloy steel which are heat-treated for strength and wear resistance. All slip assemblies are supplied with safety flex handles as standard option.



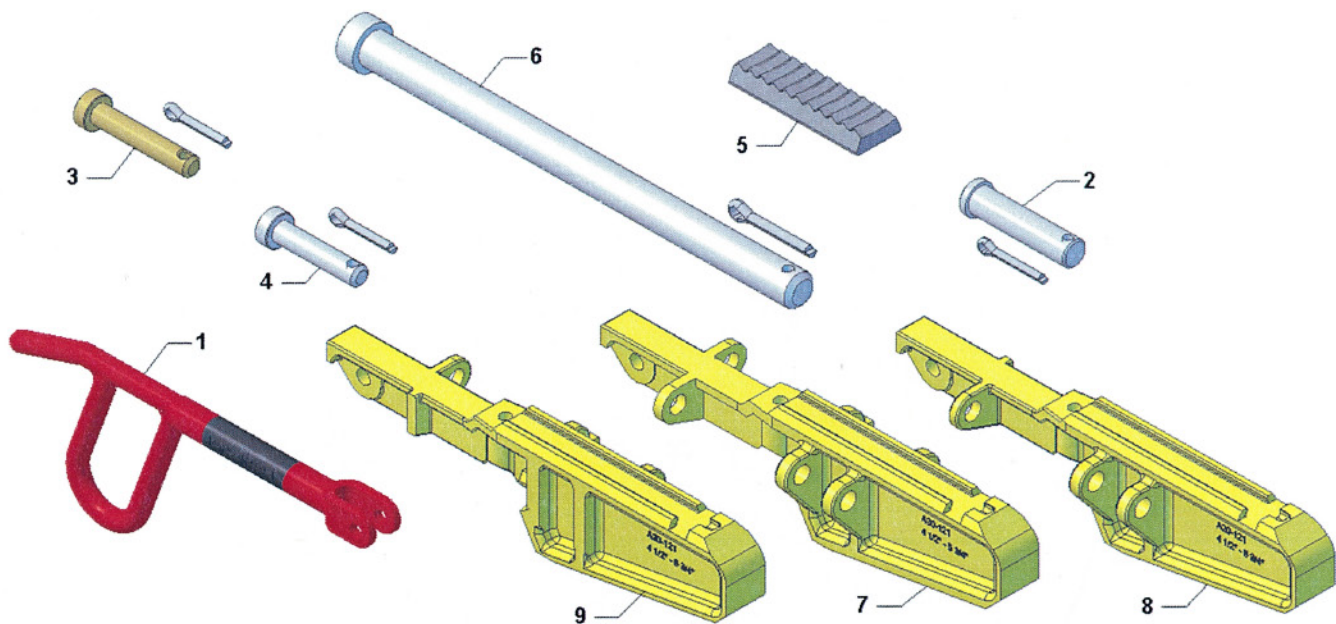
TYPE "TYPE A" DRILL COLLAR SLIPS COMPLETE

	DRILL COLLAR SIZE/SLIP RECESS	SEGMENT PART NO.	# OF SEGMENTS	WT.
20-111-F	3" - 4 1/4"	20-109	7	136
20-111-1-F	3 3/4" - 4 3/4"	20-138	8	128
20-112-F	4 1/2" - 5 3/4"	20-121	9	112
20-113-F	5 1/2" - 7"	20-125	10	117
20-114-F	6 3/4" - 8 1/4"	20-130	11	118
20-115-F	8 1/4" - 10"	20-134	12	120

ALL "A" TYPE SLIPS ARE AVAILABLE WITH STEEL HANDLES UPON REQUEST

ALL PARTS ARE INTERCHANGEABLE WITH CORRESPONDING DESIGN TYPE "A" DRILL COLLAR SLIPS

TYPE "A" DRILL COLLAR SLIP



REPLACEMENT PARTS FOR RMET TYPE "A" DRILL COLLAR SLIPS

	ITEM#	DESCRIPTION	REF.#	#REQ.	WT.
08-136	1	FLEX HANDLE		3	4.00
08-103	2	HANDLE PIN	707-000-0300	3	.12
20-102	3	INSERT RET. PIN (3" - 8 1/4")	707-000-0600		.08
20-104	4	INSERT RET. PIN (8 1/4" - 10")	707-000-0700	12	.07
20-103	5	INSERT	797-000-0000		.25
20-101	6	HINGE PIN	707-000-0100		.86
20-109	7	INT. SEG. 3" - 4 1/4"	707-300-0100	5	15.00
20-108	8	R.H. SEG. 3" - 4 1/4"	707-300-0400	1	15.00
20-110	9	L.H. SEG. 3" - 4 1/4"	707-300-0300	1	15.00
20-138	7	INT. SEG. 3 3/4" - 4 3/4"	707-320-0100	6	14.00
20-137	8	R.H. SEG. 3 3/4" - 4 3/4"	707-320-0400	1	14.00
20-139	9	L.H. SEG. 3 3/4" - 4 3/4"	707-320-0300	1	14.00
20-121	7	INT. SEG. 4 1/2" - 5 3/4"	707-420-0100	7	13.00
20-120	8	R.H. SEG. 4 1/2" - 5 3/4"	707-420-0400	1	13.00
20-122	9	L.H. SEG. 4 1/2" - 5 3/4"	707-420-0300	1	13.00
20-125	7	INT. SEG. 5 1/2" - 7"	707-540-0100	8	11.00
20-124	8	R.H. SEG. 5 1/2" - 7"	707-540-0400	1	11.00
20-126	9	L.H. SEG. 5 1/2" - 7"	707-540-0300	1	11.00
20-130	7	INT. SEG. 6 3/4" - 8 1/4"	707-660-0100	9	8.50
20-129	8	R.H. SEG. 6 3/4" - 8 1/4"	707-660-0400	1	8.50
20-131	9	L.H. SEG. 6 3/4" - 8 1/4"	770-660-0300	1	8.50
20-134	7	INT. SEG. 8 1/4" - 10"	707-820-0100	10	6.00
20-133	8	R.H. SEG. 8 1/4" - 10"	707-820-0400	1	6.00
20-135	9	L.H. SEG. 8 1/4" - 10"	707-820-0300	1	6.00