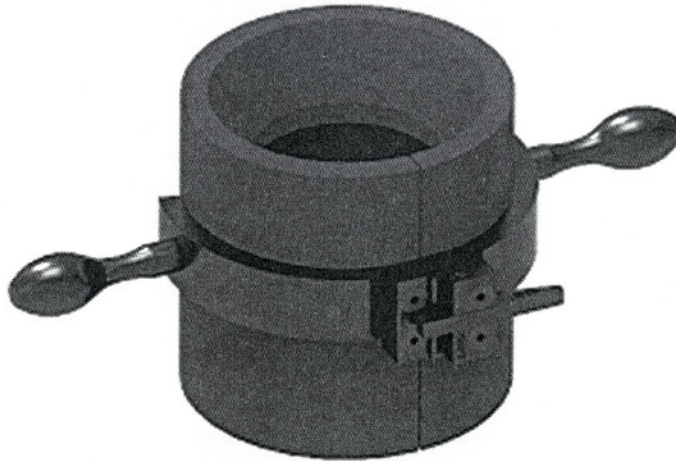


## STANDARD RUBBER STABBING GUIDE

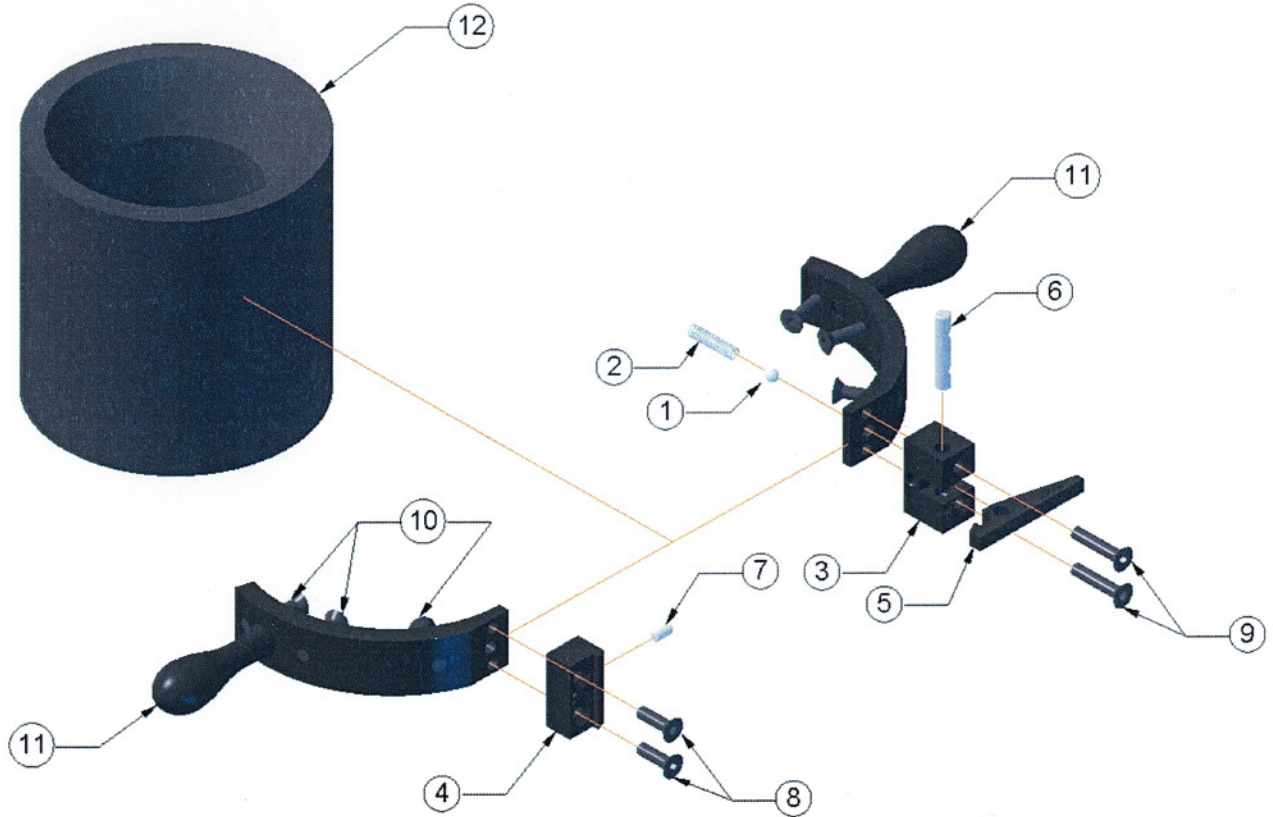


### STANDARD RUBBER STABBING GUIDE COMPLETE

P/N COMPLETE	P/N RUBBER ONLY	DESCRIPTION	WT.
02-101	02-120	3/4" CS® STABBING GUIDE	5.00
02-102	02-121	1" CS® STABBING GUIDE	4.50
02-103	02-122	1 1/4" CS® STABBING GUIDE	5.50
02-104	02-123	1 1/2" CS® STABBING GUIDE	5.50
02-105	02-124	2 1/16" CS® STABBING GUIDE	6.50
02-106	02-125	2 3/8" CS® STABBING GUIDE	6.00
02-107	02-126	2 3/8" PH-6™ STABBING GUIDE	6.00
02-108	02-127	2 7/8" CS® STABBING GUIDE	7.00
02-109	02-128	2 7/8" PH-6™ 7.90# STABBING GUIDE	6.50
02-110	02-129	2 7/8" PH-6™ 8.70# STABBING GUIDE (SMALL BODY)	6.50
02-111	02-130	2 7/8" PH-6™ 8.70# STABBING GUIDE (LARGE BODY)	11.00
02-112	02-131	2 7/8" 8RD 6.50# STABBING GUIDE (SMALL BODY)	6.50
02-113	02-132	2 7/8" 8RD 6.50# STABBING GUIDE (LARGE BODY)	10.50
02-114	02-133	3 1/2" CS® 9.30# - 10.30# STABBING GUIDE	10.00
02-115	02-134	3 1/2" PH-6™ 12.95# STABBING GUIDE	9.50
02-117	02-136	3 1/2" IF STABBING GUIDE FOR 4 3/4" T.J.	12.00
02-117-3	02-357	3 1/2" IF STABBING GUIDE FOR 4 7/8" T.J.	12.00
02-117-1	02-136-1	4" F.H. STABBING GUIDE FOR 5 1/2" T.J.	12.00
02-306	02-356	XT-39 STABBING GUIDE FOR 4 7/8" T.J.	12.00
02-308	02-358	XT-39 STABBING GUIDE FOR 4 15/16" T.J.	12.00
02-309	02-359	XT-43 STABBING GUIDE FOR 5 3/8" T.J.	11.50
02-119	02-138	4 1/2" PH-6™ 15.50# STABBING GUIDE	11.50
02-143	02-139	4 1/2" XH STABBING GUIDE FOR 6 1/4" T.J.	14.50
02-144	02-148	4 1/2" IF STABBING GUIDE FOR 6 3/8" T.J.	14.25
02-145	02-141	5" PH-6™ 20.30# STABBING GUIDE	13.00
02-146	02-142	5 1/2" PH-6™ 23.00# STABBING GUIDE	13.00
02-147	02-140	4 1/2" IF STABBING GUIDE FOR 6 5/8" T.J.	14.00

CUSTOM SIZES AVAILABLE UPON REQUEST

## STANDARD RUBBER STABBING GUIDE



### REPLACEMENT PARTS FOR

### STANDARD STABBING GUIDE

	ITEM	DESCRIPTION	QTY	WT.
02-150	1	BEARING	1	.05
02-151	2	SPRING	1	.10
02-152	3	HINGE	1	.5
02-153	4	CATCH	1	.45
02-154	5	LATCH	1	.12
02-155	6	HINGE PIN	1	.13
02-156	7	GUIDE PIN	1	.05
02-157-9	8	CATCH SCREW	2	.09
02-157-13	9	HINGE SCREW	2	.11
02-157-10	10	1 1/4" CAP SCREW	4+	.13
02-157-12	10	1 1/2" CAP SCREW	4+	.15
02-157-14	10	1 3/4" CAP SCREW	4+	.55
02-175	11	3" RING ONLY	2	.75
02-176	11	3 3/4" RING ONLY	2	.85
02-177	11	4 7/16" RING ONLY	2	.95
02-178	11	5" RING ONLY	2	1.10
02-179	11	6 1/8" RING ONLY	2	1.25
02-181	11	7" RING ONLY	2	1.35
02-182	11	8" RING ONLY	2	1.45
02-183	11	9" RING ONLY	2	1.60
N/A	12	RUBBER ONLY ( SEE TABLE, PAGE 5)	1	N/A