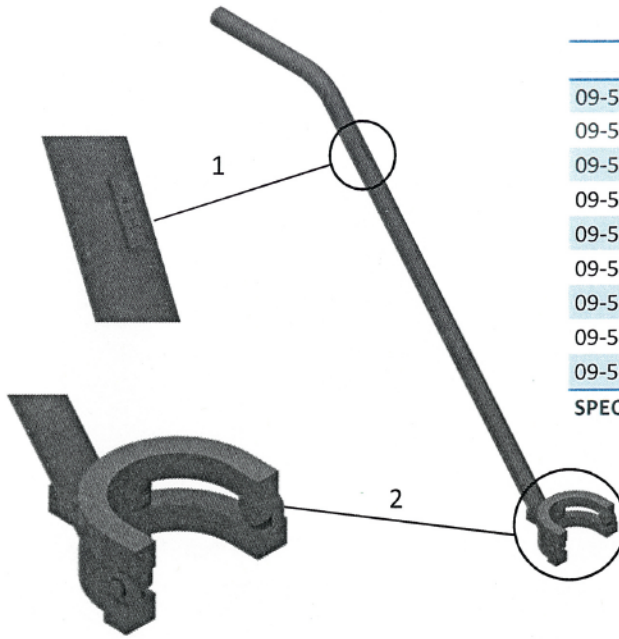


PIPE JACKS



	DESCRIPTION	WT.
09-501	PIPE JACK FOR XT-39 CONNECTION	19.75
09-502	PIPE JACK FOR 4" FH CONNECTION	19.85
09-503	PIPE JACK FOR 4 1/2" IF CONNECTION	20.65
09-504	PIPE JACK FOR 3 1/2" IF CONNECTION	18.50
09-505	PIPE JACK FOR VX-39 CONNECTION	19.00
09-506	PIPE JACK FOR HT-38 CONNECTION	19.50
09-507	PIPE JACK FOR XTM-39 CONNECTION	20.00
09-508	PIPE JACK FOR XT-43 CONNECTION	19.70
09-509	PIPE JACK FOR 4 1/2" XH CONNECTION	20.30

SPECIAL SIZES AVAILABLE UPON REQUEST

- 1) SIZE SPECIFICATION STAMP ON EACH PRODUCT
 2) HEAVY DUTY HINGE DESIGN FOR STRONGER SUPPORT

PIPE ROLLERS



	DESCRIPTION	WT.
26-950	RMET PIPE ROLLER	6.50