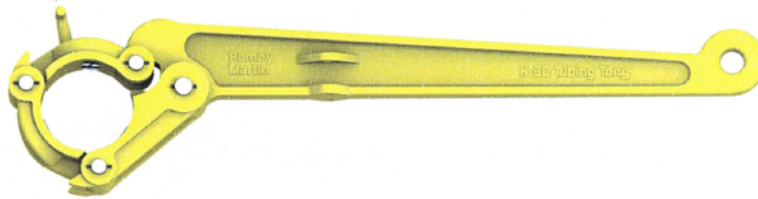
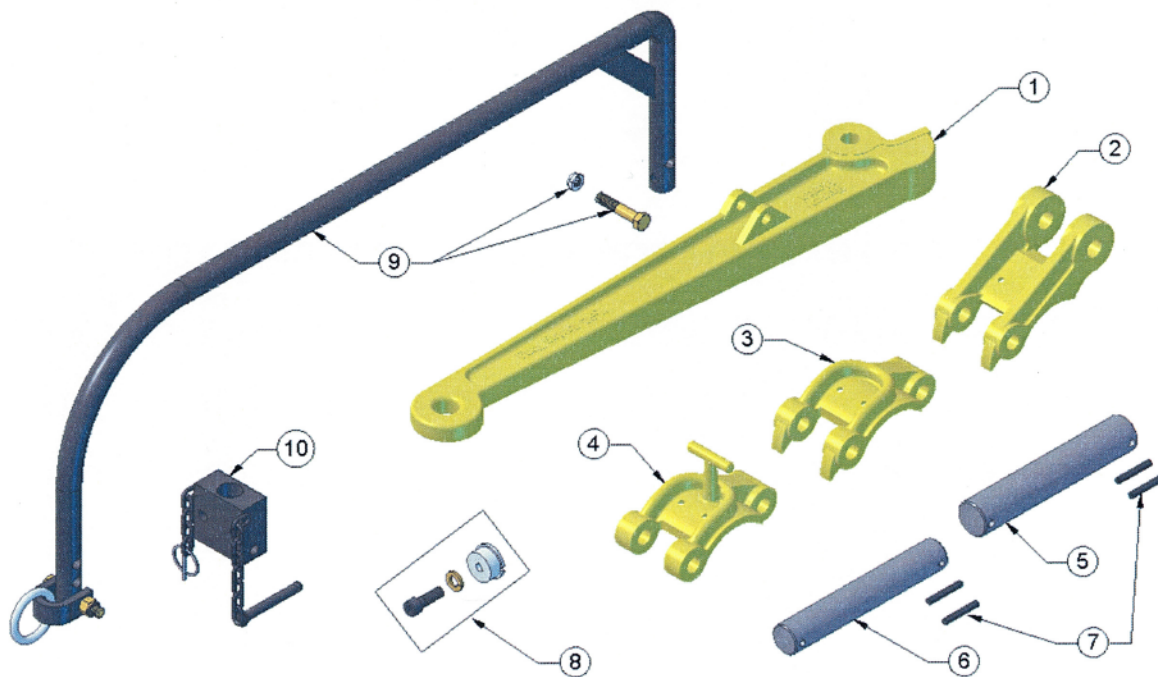


K-30, K-50, K50-HT & K-70 MANUAL TUBING TONG

K-Series Tubing Tongs are designed for heavy duty service of tubing 1 1/2" to 7" OD. They have a wrap-around design with approximately a 300 deg. die contact. This prevents cutting or crushing of thin wall tubing. All tongs are pulled tested and complete documentation is available with each tong.



	DESCRIPTION	RANGE	RATING	WT.
06-101	K-30 TONG ASSEMBLY COMPLETE LESS HANGER AND DIES	1 1/2 – 4 1/8	5,000 FT. LBS	48.00
06-102	K-30 TONG ASSEMBLY COMPLETE LESS DIES W/ STANDARD HANGER	1 1/2 – 4 1/8	5,000 FT. LBS	61.00
06-103	K-30 TONG ASSEMBLY COMPLETE LESS DIES W/ ROLLOVER HANGER	1 1/2 – 4 1/8	5,000 FT. LBS	64.00
06-501	K-50 TONG ASSEMBLY COMPLETE LESS HANGER AND DIES	2 3/8 – 5 1/2	7,500 FT. LBS	60.00
06-502	K-50 TONG ASSEMBLY COMPLETE LESS DIES W/ STANDARD HANGER	2 3/8 – 5 1/2	7,500 FT. LBS	75.00
06-503	K-50 TONG ASSEMBLY COMPLETE LESS DIES W/ ROLLOVER HANGER	2 3/8 – 5 1/2	7,500 FT. LBS	77.50
06-105	K-50HT TONG ASSEMBLY COMPLETE LESS HANGER AND DIES	2 3/8 – 5 1/2	15,000 FT. LBS	82.00
06-106	K-50HT TONG ASSEMBLY COMPLETE LESS DIES W/ STANDARD HANGER	2 3/8 – 5 1/2	15,000 FT. LBS	98.00
06-107	K-50HT TONG ASSEMBLY COMPLETE LESS DIES W/ ROLLOVER HANGER	2 3/8 – 5 1/2	15,000 FT. LBS	100.00
06-701	K-70 TONG ASSEMBLY COMPLETE LESS HANGER AND DIES	2 7/8 - 7	12,500 FT. LBS	82.00
06-702	K-70 TONG ASSEMBLY COMPLETE LESS DIES W/ STANDARD HANGER	2 7/8 - 7	12,500 FT. LBS	98.00
06-703	K-70 TONG ASSEMBLY COMPLETE LESS DIES W/ ROLLOVER HANGER	2 7/8 - 7	12,500 FT. LBS	100.00



REPLACEMENT PARTS FOR K-30 & K-50 TUBING TONGS

K-30 TUBING TONG

ITEM#	DESCRIPTION	#REQ.	*SPARES	WT.
06-104	1 TONG LEVER	1		24.00
06-105	2 LEVER JAW	1		8.00
06-106	3 CENTER JAW	1		5.50
06-107	4 LATCH JAW	1		5.75
06-509	5 TONG LEVER PIN	1	1	.75
06-109	6 TONG HEAD PIN	3	3	.50
06-157	7 RETAINER PINS	8	8	.03
06-110	8 TONG DIE BUSHING W/ SCREW	6	24	.10
06-113	9 TONG HANGER W/ HANGER SCREW & NUT	1		13.00
06-114	10 ROLLOVER BLOCK	1		2.50

K-50 TUBING TONG

ITEM#	DESCRIPTION	#REQ.	*SPARES	WT.
06-504	1 TONG LEVER	1		24.00
06-505	2 LEVER JAW	1		8.00
06-506	3 CENTER JAW	1		5.50
06-507	4 LATCH JAW	1		5.75
06-508	5 TONG LEVER PIN	1	1	.75
06-509	6 TONG HEAD PIN	3	3	.50
06-516	7 RETAINER PINS	8	8	.03
06-510	8 TONG DIE BUSHING W/ SCREW	6	24	.10
06-113	9 TONG HANGER W/ HANGER SCREW & NUT	1		13.00
06-114	10 ROLLOVER BLOCK	1		2.50

K-50HT TUBING TONG

ITEM#	DESCRIPTION	#REQ.	*SPARES	WT.
06-704	1 TONG LEVER	1		40.00
06-601	2 LEVER JAW	1		14.00
06-602	3 CENTER JAW	1		13.00
06-603	4 LATCH JAW	1		13.00
06-708	5 TONG LEVER PIN	1	1	.75
06-508	6 TONG HEAD PIN	3	3	.50
06-516	7 RETAINER PINS	8	8	.03
06-510	8 TONG DIE BUSHING W/ SCREW	6	24	.10
06-113	9 TONG HANGER W/ HANGER SCREW & NUT	1		13.00
06-114	10 ROLLOVER BLOCK	1		2.50

K-70 TUBING TONG

ITEM#	DESCRIPTION	#REQ.	*SPARES	WT.
06-704	1 TONG LEVER	1		40.00
06-705	2 LEVER JAW	1		14.00
06-706	3 CENTER JAW	1		13.00
06-707	4 LATCH JAW	1		13.00
06-708	5 TONG LEVER PIN	1	1	.75
06-508	6 TONG HEAD PIN	3	3	.50
06-516	7 RETAINER PINS	8	8	.03
06-510	8 TONG DIE BUSHING W/ SCREW	6	24	.18
06-113	9 TONG HANGER W/ HANGER SCREW & NUT	1		13.00
06-114	10 ROLLOVER BLOCK	1		2.50

DIES REPLACEMENT REFER TO **PAGE 72**

*RECOMMENDED SPARE PARTS FOR 1 YEAR OPERATION

RECOMMENDED DIES FOR 1 YEAR ORDER 3 FOR EACH SIZE PIPE TO BE RUN

ALL PARTS ARE INTERCHANGEABLE WITH KELCO® TONGS