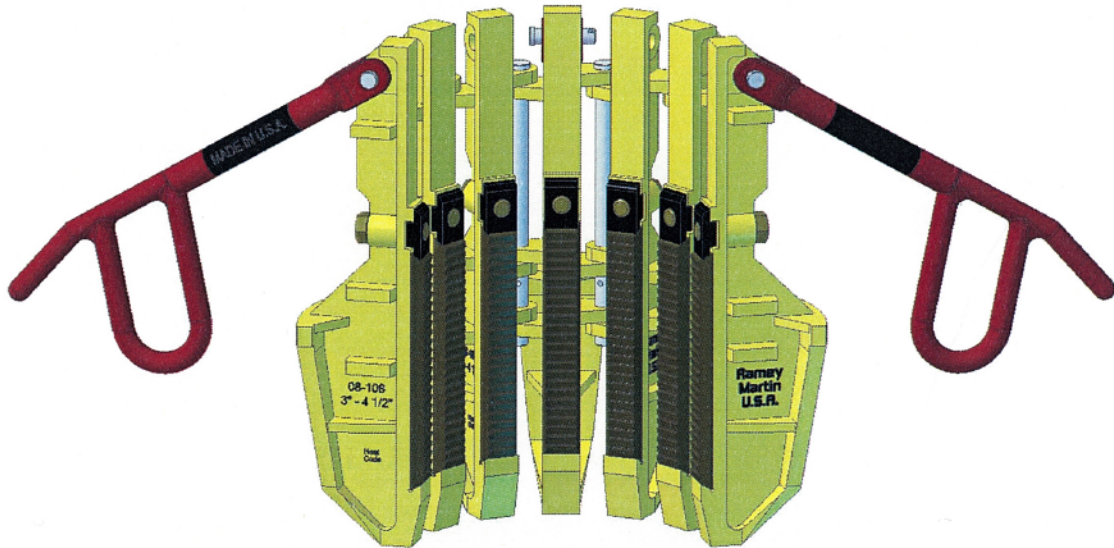


“C-1” TYPE DRILL COLLAR SLIP

“C-1” Drill Collar Slip has a multi-segment design that allows it to hinge so that it fits all drill collars within the slip’s size range. The slip segments are made of alloy steel which are heat-treated for strength and wear resistance. The inserts are a continuous one piece design with approximately 7 1/2” of contact length. For added safety, the RMET “C-1” Drill Collar Slip is also provided with safety flex handles as a standard option.



TYPE “C-1” DRILL COLLAR SLIPS COMPLETE

	DRILL COLLAR SIZE/SLIP RECESS	SEGMENT PART NO.	# OF SEGMENTS	WT.
08-111-F	3" - 4 1/2"	08-108	8	112
08-112-F	4 1/4" - 5 3/4"	08-121	10	122
08-113-F	5 1/2" - 7"	08-125	12	134
08-114-F	6 3/4" - 8 1/4"	08-130	12	118
08-115-F	8 1/2" - 10"	08-134	12	98
08-116-F*	10" - 11 1/4"	08-130	17	15.
08-117-F **	11 1/4" - 12 3/4"	08-125	19	210

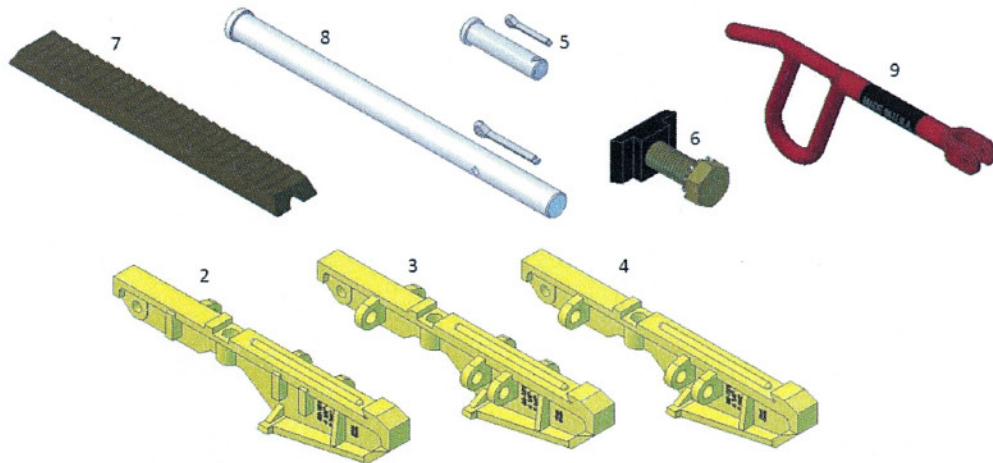
ALL “C-1” TYPE SLIPS ARE AVAILABLE WITH STEEL HANDLES UPON REQUEST

ALL PARTS ARE INTERCHANGEABLE WITH CORRESPONDING DESIGN “C-1” DRILL COLLAR SLIPS

* FITS NO. 2 INSERT BOWL

** FITS NO. 1 INSERT BOWL

"C-1" TYPE DRILL COLLAR SLIP



REPLACEMENT PARTS FOR "C-1" DRILL COLLAR SLIPS

ITEM#		DESCRIPTION	SPARES	SIZE	#REQ.	REF.#	WT.
08-102	N/P	HANDLE	3	3" - 10"	3	7638-A-78	2.50
08-102	N/P	HANDLE	4	10" - 12 3/4"	4	7638-A-78	2.50
08-107	2	BODY SEGMENT (RIGHT HAND)		3" - 4 1/2"	1	7638-5099-11	10.75
08-120	2	BODY SEGMENT (RIGHT HAND)		4 1/4" - 5 3/4"	1	7638-5100-11	9.25
08-124	2	BODY SEGMENT (RIGHT HAND)		5 1/2" - 7"	1	7638-5101-11	8.25
08-129	2	BODY SEGMENT (RIGHT HAND)		6 3/4" - 8 1/4"	1	7638-5102-11	7.00
08-133	2	BODY SEGMENT (RIGHT HAND)		8 1/2" - 10"	1	7638-5103-11	5.75
08-129	2	BODY SEGMENT (RIGHT HAND)		10" - 11 1/4"	1	7638-5102-11	7.00
08-124	2	BODY SEGMENT (RIGHT HAND)		11 1/4" - 12 3/4"	1	7638-5101-11	8.25
08-108	3	BODY SEGMENT (INTERMEDIATE)		3" - 4 1/2"	6	7638-5099-10	10.75
08-121	3	BODY SEGMENT (INTERMEDIATE)		4 1/4" - 5 3/4"	8	7638-5100-10	9.25
08-125	3	BODY SEGMENT (INTERMEDIATE)		5 1/2" - 7"	10	7638-5101-10	8.25
08-130	3	BODY SEGMENT (INTERMEDIATE)		6 3/4" - 8 1/4"	10	7638-5102-10	7.00
08-134	3	BODY SEGMENT (INTERMEDIATE)		8 1/2" - 10"	10	7638-5103-10	5.75
08-130	3	BODY SEGMENT (INTERMEDIATE)		10" - 11 1/4"	15	7638-5102-10	7.00
08-125	3	BODY SEGMENT (INTERMEDIATE)		11 1/4" - 12 3/4"	17	7638-5101-10	8.25
08-109	4	BODY SEGMENT (LEFT HAND)		3" - 4 1/2"	1	7638-5099-12	10.75
08-122	4	BODY SEGMENT (LEFT HAND)		4 1/4" - 5 3/4"	1	7638-5100-12	9.25
08-126	4	BODY SEGMENT (LEFT HAND)		5 1/2" - 7"	1	7638-5101-12	8.25
08-131	4	BODY SEGMENT (LEFT HAND)		6 3/4" - 8 1/4"	1	7638-5102-12	7.00
08-135	4	BODY SEGMENT (LEFT HAND)		8 1/2" - 10"	1	7638-5103-12	5.75
08-131	4	BODY SEGMENT (LEFT HAND)		10" - 11 1/4"	1	7638-5102-12	7.00
08-126	4	BODY SEGMENT (LEFT HAND)		11 1/4" - 12 3/4"	1	7638-5101-12	8.25
08-103	5	HANDLE PIN w/COTTER	1	3" - 10"	3	7638-E-2	.15
08-103	5	HANDLE PIN w/COTTER	2	10" - 12 3/4"	4	7638-E-2	.15
08-104	6	LINER KEEPER w/BOLT & WASHER	4	3" - 4 1/2"	8	7638-5113	1.00
08-104	6	LINER KEEPER w/BOLT & WASHER	5	4 1/4" - 5 3/4"	10	7638-5113	1.00
08-104	6	LINER KEEPER w/BOLT & WASHER	6	5 1/2" - 10"	12	7638-5113	1.00
08-104	6	LINER KEEPER w/BOLT & WASHER	8	10" - 11 1/4"	17	7638-5113	1.00
08-104	6	LINER KEEPER w/BOLT & WASHER	9	11 1/4" - 12 3/4"	19	7638-5113	1.00
08-105	7	RENEWABLE LINER		3" - 12 3/4"		7638-116	1.00
08-101	8	HINGE PIN w/COTTER	3	3" - 4 1/2"	7	7638-B-59	1.15
08-101	8	HINGE PIN w/COTTER	3	4 1/4" - 5 3/4"	9	7638-B-59	1.15
08-101	8	HINGE PIN w/COTTER	3	5 1/2" - 8 1/4"	11	7638-B-59	1.15
08-106	8	HINGE PIN w/COTTER	3	8 1/2" - 10"	11	7638-B-59	.85
08-101	8	HINGE PIN w/COTTER	4	10" - 11 1/4"	16	7638-B-59	1.15
08-101	8	HINGE PIN w/COTTER	4	11 1/4" - 12 3/4"	18	7638-B-59	1.15
08-136	9	SAFETY FLEX HANDLE		ALL	A/R	N/A	5.00