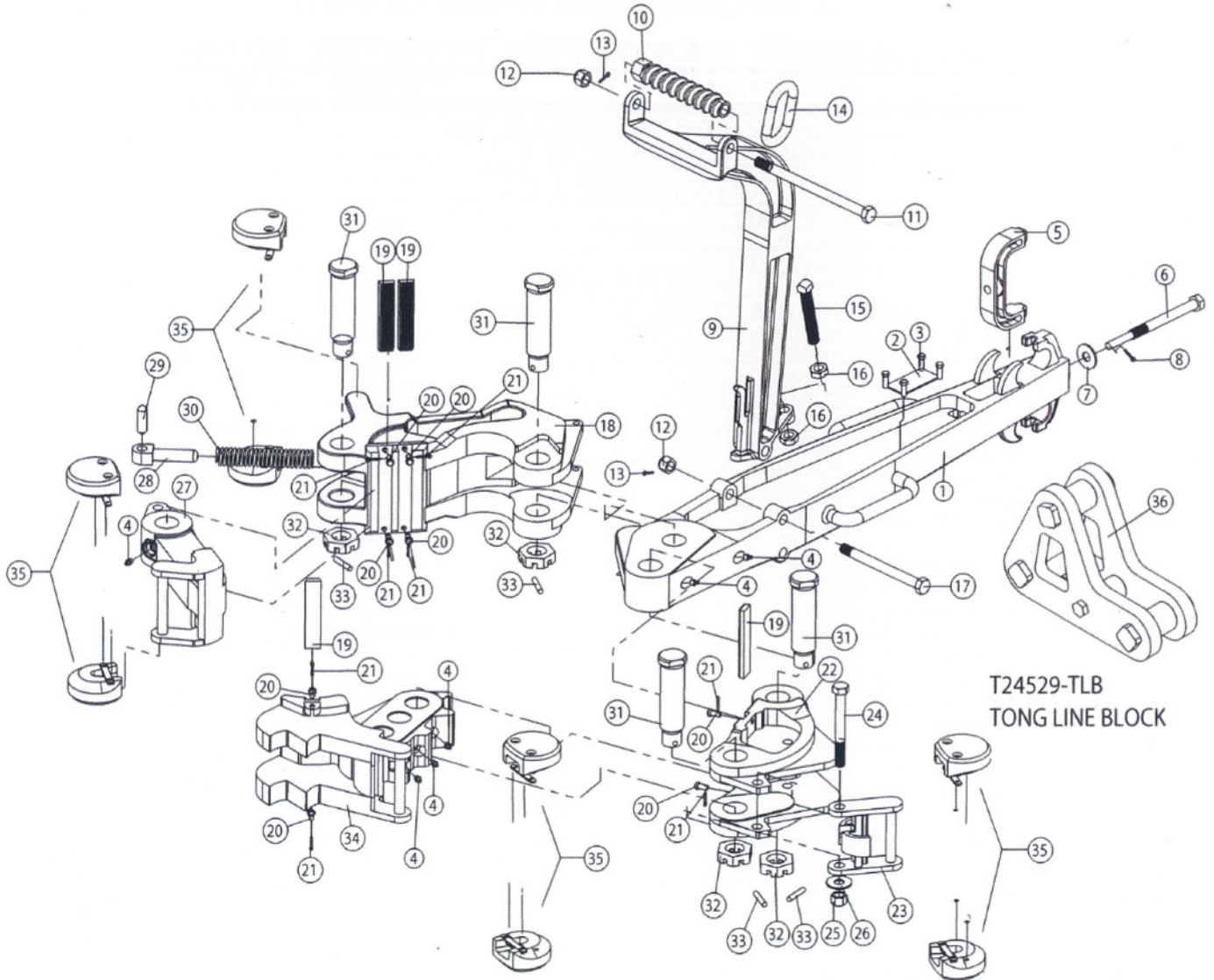


# AOT TYPE "HT-65" TONG COMPLETE

AOT #	DESCRIPTION	WT.
T200540	TYPE HT-65 TONG COMPLETE LESS LUG JAWS	440.00

NOTE: ADD —ST TO END OF TONG P/N FOR TONG WITH  
SAFETY HANDLES & SET-BACK HANGER



## HINGE & LUG JAW ASSEMBLIES FOR TYPE "HT-65" TONG

AOT #	ITEM #	DESCRIPTION	TORQUE RATING	WT.
T200546-1	34	3 1/2 - 8 1/4 LUG JAW ASSEMBLY	65,000 ft. lbs.	82.00
T200547-1	34	8 — 11 1/4 LUG JAW ASSEMBLY	65,000 ft. lbs.	97.00
T200548	34	11 3/4 — 14 3/8 LUG JAW ASSEMBLY	40,000 ft. lbs.	71.00
T200549	34	16 - 17 LUG JAW ASSEMBLY	40,000 ft. lbs.	83.00
T200545-1	NP	11 3/4 — 17 HINGEJAW ASSEMBLY	40,000 ft. lbs.	56.00

**NOTE: ADD – SH TO END OF LUG JAW P/N FOR JAWS W/SAFETY HANDLES**

\*Lug & Hinge Jaw Assemblies include Jaw, and any required Tong Dies, Die Retainer Pins, Cotter Pins, & Grease Fittings

\*\* Hinge Jaw Assembly required for sizes greater than 11 1/4

## REPLACEMENT PARTS FOR TYPE "HT-65" TONG

AOT #	ITEM #	DESCRIPTION	** SPARES	# REQ.	WT.
T200541-1	1-8	LEVER ASSY. F/TYPE HT-65 TONG		1	139.00
T200541	1	STANDARD LEVER ONLY F/TYPE HT-65 TONG		1	134.00
T200551	2	NAME PLATE		1	.10
T53301-4-3	3	NAME PLATE SCREWS		4	.05
T53201	4	GREASE FITTING		2	.05
T24529	5	TONG LINE RETAINER	1	1	3.65
T24249	6	TONG LINE RETAINER BOLT	1	1	1.08
T50809-N-C	7	WASHER F/RETAINER BOLT	1	1	.05
T51402-8	8	COTTER PIN	1	1	.04
T200668-2	9-16	HANGER ASSY. F/TYPE HT-65 TONG		1	56.00
T200668	9	HANGER ONLY F/TYPE HT-65 TONG		1	47.00
T200668-2-SH	9-16	SET BACK HANGER ASSY. F/TYPE HT-65 TONG		1	64.00
T200668-SH	9	HANGER ONLY F/TYPE HT-65 TONG		1	55.00
T12586	10	BALANCING SCREW		1	2.75
T939099-596	11	BALANCING SCREW BOLT		1	2.10
T50512-C	12	BALANCING SCREW BOLT NUT		1	.40
T51402-16	13	COTTER PIN		1	.08
T12863	14	SUSPENSION RING		1	1.50
T939168-133	15	HANGER ADJUSTMENT SCREW		1	.75
T50314-C	16	HANGER JAM NUT		2	.25
T939099-556	17	HANGER BOLT	1	1	1.40
T50512-C	12	HANGER BOLT NUT	1	1	.25
T51402-16	13	COTTER PIN	1	1	.05
T200542-1	18-21	LONG JAW ASSY. F/TYPE HT-65 TONG		1	118.00
T200542	18	LONG JAW F/TYPE HT-65 TONG		1	111.00
T16402-2	19	1/2 X 1 1/4 X 5 7/8 TONG DIE	144	AS REQ.	.75
T17194	20	TONG DIE RETAINER PIN	24	AS REQ.	.03
T51402-6	21	COTTER PIN	36	AS REQ.	.01
T200543-1	22-26, 19-21	SHORT JAW ASSY. F/TYPE HT-65 TONG		1	51.00
T200543	22	SHORT JAW ONLY F/TYPE HT-65 TONG		1	47.00
T25864	23	SHORT HANDLE JAW		1	2.75
T50012-52-C8	24	BOLT		1	.75
T50212-C	25	NUT		1	.35
T50912-C	26	LOCKWASHER		1	.04
T200544-1	27-29, 4	LATCH ASSY.	1	1	36.00
T200544	27	LATCH		1	34.00
T24526	28	LATCH SPING PLUNGER		1	1.75
T24530	29	PLUNGER PIN	1		.25
T24525	30	LATCH SPRING	12	1	.50
T200550	31	HINGE PIN	4,5	4,5	5.00
T24528	32	HINGE PIN NUT	4,5	4,5	.75
T51405-20	33	COTTER PIN	4,5	4,5	.03
T2000-SH-2	35	SAFETY HANDLE KIT (fits all AOT tongs)	4	4	3.25
T24529-TLB-MU	36	TONG LINE BLOCK, MAKE-UP (Right Hand)		A/R	31.00
T24529-TLB-BO	36	TONG LINE BLOCK, BREAK OUT (Left Hand)		A/R	31.00

\*RECOMMENDED SPARE PARTS FOR 1 YEAR