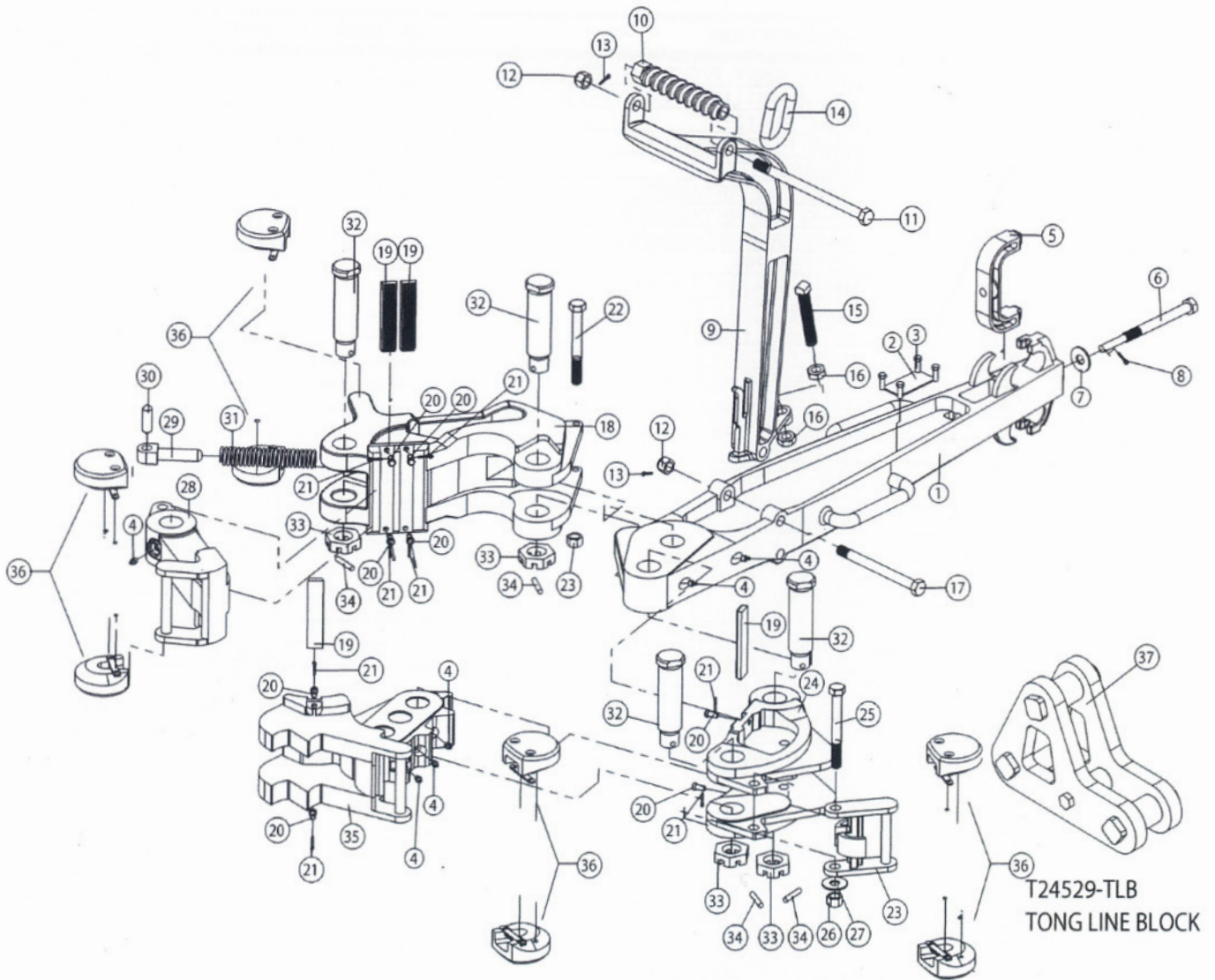


AOT TYPE "HT-100" TONG COMPLETE

AOT #	DESCRIPTION	WT.
T200071	TYPE HT-100 TONG COMPLETE LESS LUG JAWS	533.00

NOTE: ADD -ST TO END OF TONG P/N FOR TONG WITH SAFETY HANDLES & SET-BACK HANGER



HINGE & LUG JAW ASSEMBLIES FOR TYPE "HT-100" TONG

AOT #	ITEM#	DESCRIPTION	TORQUE RATING	WT.
T200663-1	35	4 - 8 1/2 LUG JAW ASSEMBLY	100,000 ft. lbs.	135.00
T200664	35	8 1/2 — 12 LUG JAW ASSEMBLY	100,000 ft. lbs.	102.00
T200665	35	12 — 15 LUG JAW ASSEMBLY	75,000 ft. lbs.	140.00
T200666	35	15 3/4 LUG JAW ASSEMBLY	100,000 ft. lbs.	162.00
T200667	35	16 — 17 LUG JAW ASSEMBLY	60,000 ft. lbs.	140.00
T200662-1	NP	8 1/2 — 17 HINGEJAW ASSEMBLY	100,000 ft. lbs.	112.00

NOTE: ADD – SH TO END OF LUG JAW P/N FOR JAWS W/SAFETY HANDLES

*Lug & Hinge Jaw Assemblies include Jaw, and any required Tong Dies, Die Retainer Pins, Cotter Pins, & Grease Fittings

** Hinge Jaw Assembly required for sizes greater than 8 1/2

REPLACEMENT PARTS FOR TYPE "HT-100" TONG

AOT #	ITEM #	DESCRIPTION	** SPARES	# REQ.	WT.
T200661-1	1-8	LEVER ASSY. F/TYPE HT-100 TONG		1	191.00
T200661	1	STANDARD LEVER ONLY F/TYPE HT-100 TONG		1	186.00
T200669	2	NAME PLATE		1	.10
T53301-4-3	3	NAME PLATE SCREWS		4	.05
T53201	4	GREASE FITTING		2	.05
T24529	5	TONG LINE RETAINER	1	1	3.65
T24249	6	TONG LINE RETAINER BOLT	1	1	1.08
T50809-N-C	7	WASHER F/RETAINER BOLT	1	1	.05
T51402-8	8	COTTER PIN	1	1	.04
T200668-2	9-16	HANGER ASSY. F/ HT-100 & HT-65 TONG		1	56.00
T200668	9	HANGER ONLY F/ HT-100 & HT-65 TONG		1	47.00
T200668-2-SH	9-16	SET BACK HANGER ASSY. F/ HT-100 & HT-65 TONG		1	64.00
T200668-SH	9	SET BACK HANGER ONLY F/ HT-100 & HT-65 TONG		1	55.00
T12586	10	BALANCING SCREW		1	2.75
T939099-596	11	BALANCING SCREW BOLT		1	2.10
T50512-C	12	BALANCING SCREW BOLT NUT		1	.40
T51402-16	13	COTTER PIN		1	.08
T12863	14	SUSPENSION RING		1	1.50
T939168-133	15	HANGER ADJUSTMENT SCREW		1	.75
T50314-C	16	HANGER JAM NUT		2	.25
T939099-556	17	HANGER BOLT	1	1	1.40
T50512-C	12	HANGER BOLT NUT	1	1	.25
T51402-16	13	COTTER PIN	1	1	.05
T200072-1	18-23	LONG JAW ASSY. F/TYPE HT-100 TONG		1	140.00
T200072	18	LONG JAW F/TYPE HT-100 TONG		1	128.00
T16401-2	19	1/2 X 1 1/4 X 5 TONG DIE	144	AS REQ.	.75
T17194	20	TONG DIE RETAINER PIN	24	AS REQ.	.03
T51402-6	21	COTTER PIN	36	AS REQ.	.01
T50012-52-C8	22	BOLT F/LONG JAW		1	1.75
T50212-C	23	NUT		1	.30
T200074-1	24-27, 19-21	SHORT JAW ASSY. F/TYPE HT-100 TONG		1	87.00
T200074	24	SHORT JAW ONLY F/TYPE HT-100 TONG		1	77.00
T939107-516	25	BOLT		1	.75
T50214-C	26	NUT		1	.35
T50912-C	27	LOCKWASHER		1	.04
T200073-1	28-30,4	LATCH ASSY.	1	1	47.00
T200073	28	LATCH		1	43.00
T24526	29	LATCH SPRING PLUNGER		1	1.75
T24530	30	PLUNGER PIN		1	.25
T24525	31	LATCH SPRING	12	1	.50
T200204	32	HINGE PIN	4.5	4.5	5.00
T24528	33	HINGE PIN NUT	4.5	4.5	.75
T51405-20	34	COTTER PIN	4.5	4.5	.03
T20000-SH-2	36	SAFETY HANDLE KIT (fits all AOT tongs)	3	3	3.25
T24529-TLB-MU	37	TONG LINE BLOCK, MAKE-UP (Right Hand)		A/R	31.00
T24529-TLB-BO	37	TONG LINE BLOCK, BREAK OUT (Left Hand)		A/R	31.00

**RECOMMENDED SPARE PARTS FOR 1 YEAR