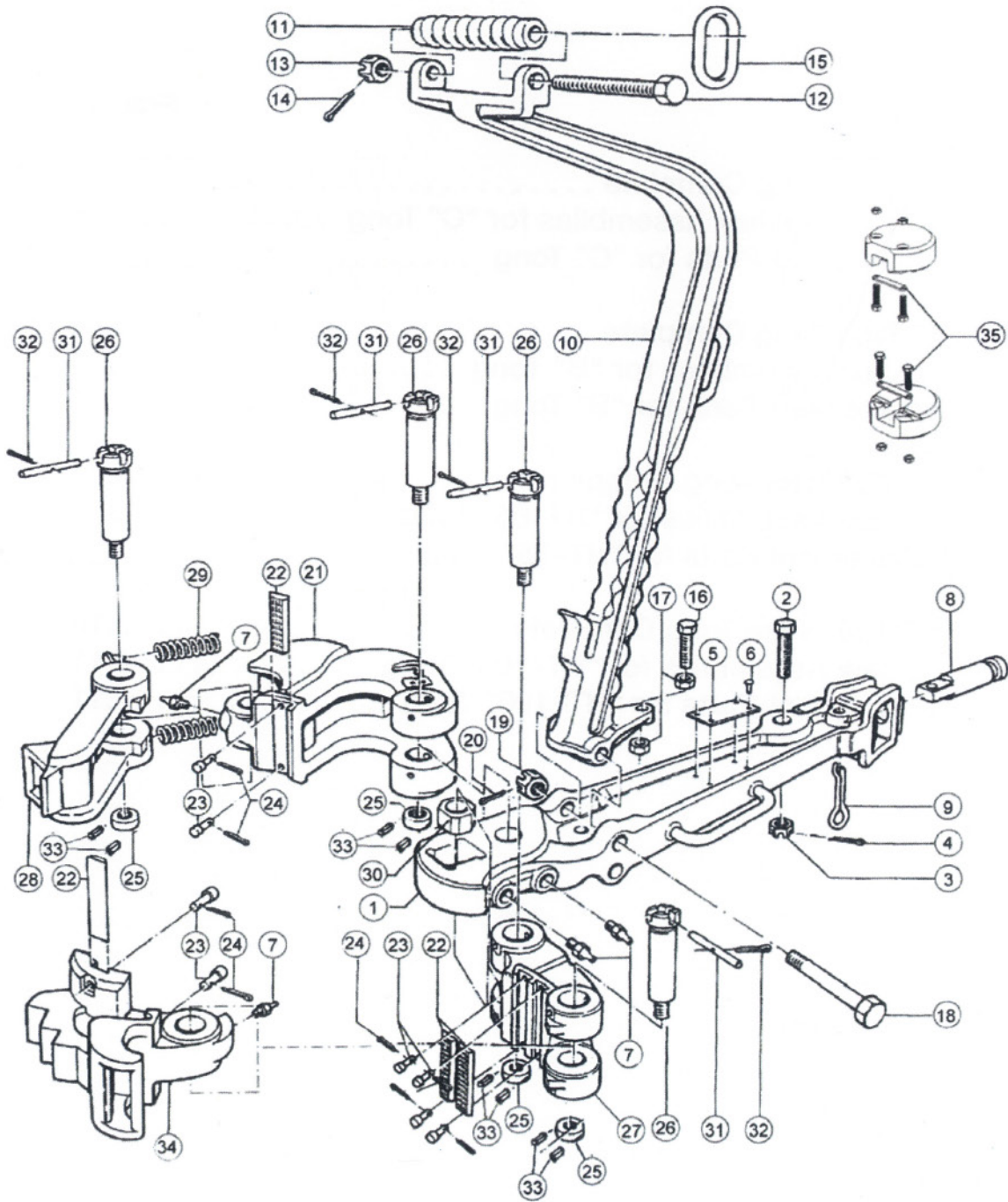


# AOT TYPE "C" TONG COMPLETE

AOT #	DESCRIPTION	WT.
T30117-2	TYPE "C" TONG COMPLETE W/STANDARD LEVER LESS LUG JAWS (2 3/8" - 7")	250.00
T30117-3	TYPE "C" TONG COMPLETE W/SHORT LEVER LESS LUG JAWS (2 3/8" - 7")	232.00
T30117	TYPE "C" TONG COMPLETE W/STANDARD LEVER LESS LUG JAWS (7 5/8" - 10 3/4")	250.00
T30117-1	TYPE "C" TONG COMPLETE W/SHORT LEVER LESS LUG JAWS (7 5/8" - 10 3/4")	232.00

NOTE: ADD - ST TO END OF TONG P/N FOR TONG WITH SAFETY HANDLES & SET-BACK HANGER



## HINGE AND LUG JAW ASSEMBLIES FOR TYPE "C" TONG

AOT #	ITEM#	DESCRIPTION	TORQUE RATING	WT.
T30728-1	34	2 3/8 — 3.668 LUG JAW ASSEMBLY	35,000 ft. lbs.	33.00
T30727-1	34	2 7/8 — 4 1/4 LUG JAW ASSEMBLY	35,000 ft. lbs.	34.00
T11939-4	34	3 1/2 — 5 1/4 LUG JAW ASSEMBLY	35,000 ft. lbs.	37.00
T11940-2	34	5 1/4 — 7 LUG JAW ASSEMBLY	35,000 ft. lbs.	49.00
T11941-1	N/P	7" — 8 5/8" HINGE & LUG JAW ASSEMBLY	35,000 ft. lbs.	61.00
T11941-2	N/P	7 — 8 5/8 LUG JAW	35,000 ft. lbs.	30.00
T11942-1	N/P	7" — 8 5/8" HINGE JAW ASSEMBLY (ONLY)	35,000 ft. lbs.	28.00
T13799-1	N/P	9 5/8 — 10 3/4 HINGE & LUG JAW ASSEMBLY	35,000 ft. lbs.	76.00
T13799	N/P	9 5/8 — 10 3/4 LUG JAW	35,000 ft. lbs.	39.00
T13798-1	N/P	9 5/8 — 10 3/4 HINGE JAWASSEMBLY (ONLY)	35,000 ft. lbs.	36.00

**NOTE: ADD — SH TO END OF LUG JAW P/N FOR JAWS W/SAFETY HANDLES**

\*Lug Jaw Assemblies include Jaw, and any required Tong Dies, Die Retainer Pins, Cotter Pins, & Grease Fittings

## REPLACEMENT PARTS FOR TYPE "C" TONG

AOT #	ITEM #	DESCRIPTION	** SPARES	# REQ.	WT.
T11516-2	1-7	STANDARD LEVER ASSY. F/TYPE C TONG		1	87.00
T11516	1	STANDARD LEVER ONLY F/TYPE C TONG		1	78.00
T11883-1	1-7	SHORT LEVER ASSY. F/TYPE C TONG		1	63.00
T11883	1	SHORT LEVER ONLY F/TYPE C TONG		1	54.00
T939099-108	2	SAFETY LINE BOLT	1	1	1.00
T50516-C	3	SAFETY LINE BOLT NUT	1	1	.25
T51402-14	4	COTTER PIN	2	1	.10
T26119-1	5	NAME PLATE		1	.10
T53301-4-3	6	NAME PLATE SCREWS		4	.05
T53201	7	GREASE FITTING		2	.05
T11517	8	TONG LINE PIN F/TYPE C TONG	1	1	4.00
T25468	9	TONG LINE PIN RETAINER	2	1	1.00
T13264-1	10-17	HANGER ASSY. F/TYPE C TONG		1	36.25
T13264	10	HANGER ONLY F/TYPE C TONG		1	25.80
T13264-1-SH	10-17	SET BACK HANGER ASSY. F/TYPE C TONG		1	44.00
T13264-SH	10	SET BACK HANGER ONLY F/TYPE C TONG		1	33.55
T12586	11	BALANCING SCREW		1	2.75
T939099-596	12	BALANCING SCREW BOLT		1	2.10
T939484-8	13	BALANCING SCREW BOLT NUT		1	.40
T51402-10	14	COTTER PIN		1	.08
T12863	15	SUSPENSION RING		1	1.50
T939168-133	16	HANGER ADJUSTMENT SCREW		1	.75
T939248-8	17	HANGER JAM NUT	2		.25
T30329	18-20	HANGER BOLT ASSY.	1	1	1.50
T939097-516	18	HANGER BOLT		1	1.40
T940985-8	19	HANGER BOLT NUT		1	.25
T51402-10	20	COTTER PIN		1	.05
T11511-1	21-24,7	LONG JAW ASSY. F/TYPE C TONG		1	64.00
T11511	21	LONG JAW F/TYPE C TONG		1	63.00
T16401-2	22	1/2 X 1 1/4 X 5 TONG DIE	144	AS REQ.	.55
T17194	23	TONG DIE RETAINER PIN	24	AS REQ.	.03
T51402-6	24	COTTER PIN	36	AS REQ.	.01
T11522	25	HINGE PIN NUT	4	4	.35
T51506-8	33	GROOVE PIN F/HINGE PIN NUT	8	8	.05
T11521-1	26	THREADED HINGE PIN	4	4	2.65
T11513-5	27, 22-24	SHORT JAW ASSY. (2 3/8 — 7 )		1	31.75
T11513-1	27, 22-24	SHORT JAW ASSY. (7 5/8 — 10 3/4 )		1	31.75
T11933-1	28,25, & 33	LATCH ASSY.	1	1	17.25
T9561	29	LATCH SPRING	12	2	.10
T11523	30	LEVER HINGE PIN BLOCK	1	3	2.65
T11199	31	DOWELL PIN	4	4	.05
T51402-6	32	COTTER PIN	4	4	.01
T11520-1	NP	REMOVABLE HINGE PIN	NA		2.75
T20000-SH-2	35	SAFETY HANDLE KIT (fits all AOT tongs)	3	3	3.25

**NOTE: ADD —SH TO END OF LONG JAW, LATCH JAW, OR LATCH LUG JAWS FOR SAFETY HANDLES**

\*\*RECOMMENDED SPARE PARTS FOR 1 YEAR