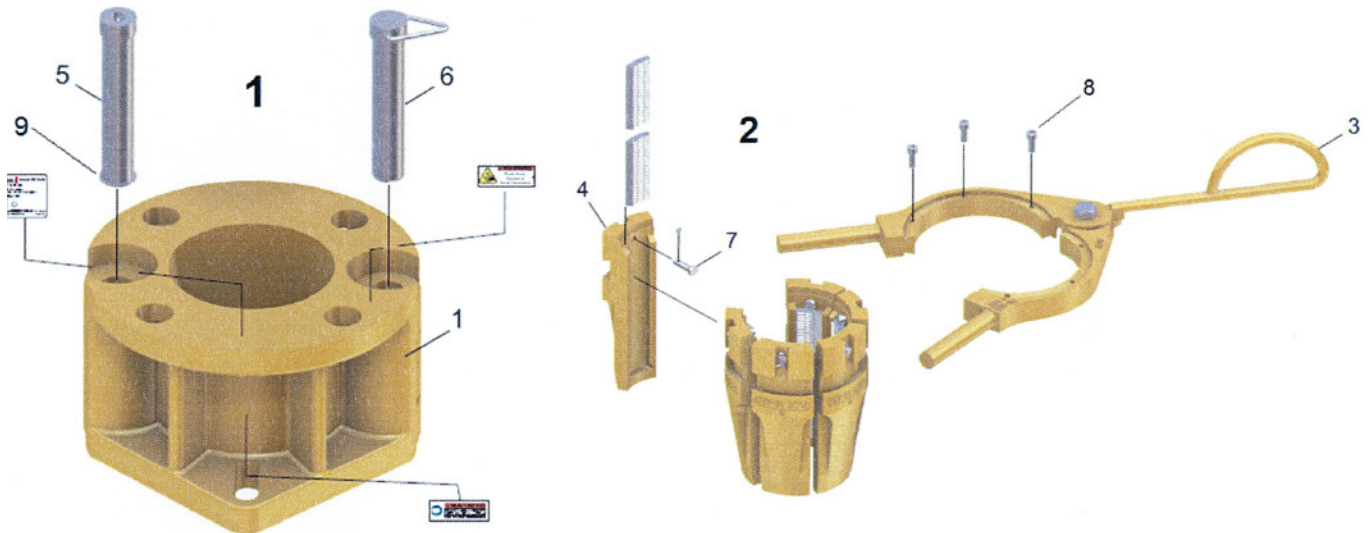


4-1/2" & 5-1/2" "TS-100" MANUAL SPIDER

The 4-1/2" spider and slip uses the 4-1/2" "DU" rotary slip insert and has a range of 1.660" thru 4-1/2" O.D. by changing the 12 inserts. The 5-1/2" spider and slip uses the 5-1/2" "D"U rotary slip insert and has a range of 2-7/8" thru 5-1/2" O.D. by changing the 12 inserts. The 5-1/2" spider is specifically designed to run the Reda or Kobe cable. Both spiders and slip assemblies are designed for heavy duty use. Both are made of alloy steel and heat treated for strength and wear resistance. Both spiders are rated for 100 ton capacity.



REPLACEMENT PARTS FOR 4-1/2" & 5-1/2" "TS-100" SPIDER

ITEM#	DESCRIPTION	*SPARES	#REQ.	WT.
18-451	1 4-1/2" BOWL ONLY		1	155.00
18-452	2 4-1/2" SLIP ASSY. COMPLETE LESS INSERTS		1	60.00
18-453	3 4-1/2" SLIP HANDLES ONLY (SET)		1	20.00
18-454	4 4-1/2" SLIP SEGMENTS EACH		1	6.80
18-457	5 4-1/2" HINGE PIN		1	3.50
18-458	6 4-1/2" REMOVEABLE HINGE PIN		1	3.75
18-455	7 4-1/2" & 5-1/2" INSERT RETAINER PIN	12	1	.20
18-456	8 4-1/2" & 5-1/2" SEGMENT RETAINER PIN	6	1	.25
18-551	1 5-1/2" BOWL ONLY		1	213.00
18-552	2 5-1/2" SLIP ASSY. COMPLETE LESS INSERTS		1	70.00
18-553	3 5-1/2" SLIP HANDLES ONLY (SET)		1	21.00
18-554	4 5-1/2" SLIP SEGMENTS EACH		2	8.00
18-557	5 5-1/2" HINGE PIN		3	4.00
18-558	6 5-1/2" REMOVABLE HINGE PIN		1	4.25
18-559	9 HINGE PIN RETAINER		1	

* RECOMMENDED SPARE PARTS F/1 YEAR OPERATION
 INSERTS FOR 4-1/2" - 5-1/2" SPIDER ON **PAGE 11**