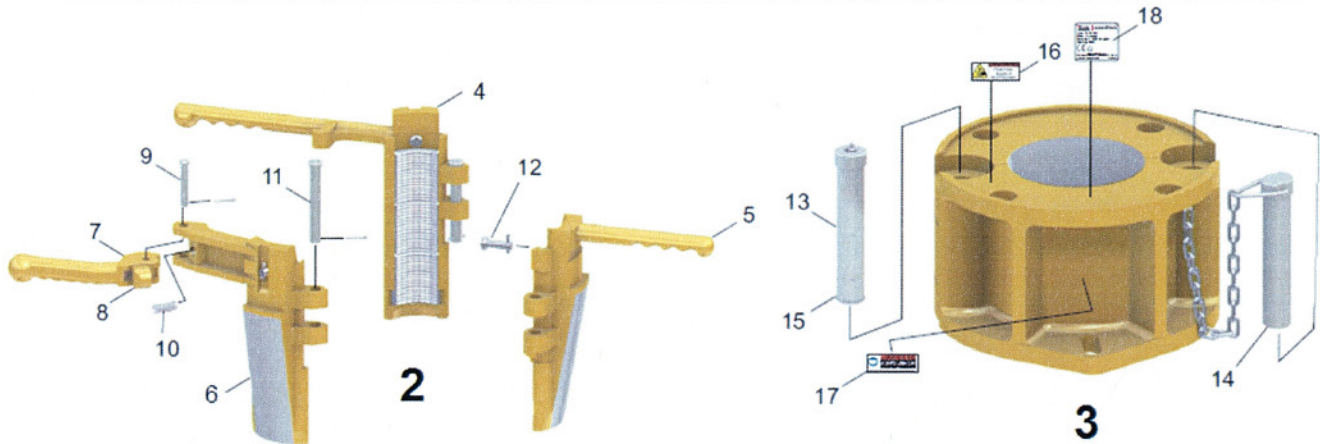


## 3-1/2" "TS-100" MANUAL TUBING SPIDER

The 3-1/2" TS-100 tubing spider and slip assembly can handle tubing sizes 3/4" thru 3-1/2" O.D. by changing 9 removable inserts. The spider and slip are made of alloy steel and heat treated for strength. All come with full certification and data books which are available upon request. This spider is rated for 100 ton capacity.



ITEM#	DESCRIPTION	REF #	*SPARES	#REQ.	WT.	
17-301	2	SLIP ASSY. LESS INSERTS	7502-104	1	51.00	
17-302	3	3-1/2" TS-100 BOWL ONLY	7502-100	1	187.00	
17-101	4	RIGHT HAND SEGMENT	7502-C-217	1	13.00	
17-102	5	CENTER SEGMENT	7502-B-217	1	13.00	
17-103	6	LEFT HAND SEGMENT	7502-A-217	1	13.00	
17-104	7	LATCH HANDLE	7502-A-214	1	3.00	
17-105	8	LATCH	7502-A-207	1	.50	
17-108	9	LATCH PIN W/COTTER	7502-B-207	2	1	.12
17-109	10	LATCH SPRING	7502-C-207	2	1	.12
17-110	11	HINGE PIN F/SLIP W/COTTER	7502-A-216		2	.25
17-111	12	LINE KEEPER W/COTTER	7502-B-216	6	3	.12
17-112	13	HINGE PIN F/BOWL	7502-A-202		1	4.50
17-113	14	LOCK PIN W/BAIL & CHAIN	7502-D-203		1	5.00
17-114	15	SNAP RING	7502-103-X	1	1	.08

\* RECOMMENDED SPARE PARTS F/1 YEAR OPERATION

### INSERTS FOR 3-1/2" "TS-100" SPIDER

DESCRIPTION	REF #	#REQ.	WT.	
21-101	3-1/2" X 3-1/2"	7502-A-5069	9	1.25
21-110	3-1/2" X 3-3/8"	N/A	9	1.25
21-102	3-1/2" X 3-1/8"	N/A	9	1.30
21-103	3-1/2" X 2-7/8"	7502-A-5070	9	1.50
21-104	3-1/2" X 2-3/8"	7502-A-5071	9	1.75
21-105	3-1/2" X 2-1/16"	7502-A-5072	9	2.00
21-111	3-1/2" X 2"	N/A	9	2.10
21-106	3-1/2" X 1-1/2"	7502-A-5074	9	2.25
21-107	3-1/2" X 1-1/4"	7502-A-5075	9	2.50
21-108	3-1/2" X 1"	7502-A-5076	9	2.75
21-109	3-1/2" X 3/4"	7502-A-5077	9	2.87